

IEEE1394.b Interface Progressive Scan Color Cameras

**KP-FD140F KP-FD32F**



**IEEE1394.b Interface**

- The IEEE1394.b interface allows direct high speed data transfer between the camera and the PC using a small 8 conductor cable.
- The 800 Mbps transfer speed of the IEEE-1394.b interface permits higher frame rates for high resolution cameras.
- Multiple cameras can share the IEEE-1394.b bus using a simple daisy chain connection.

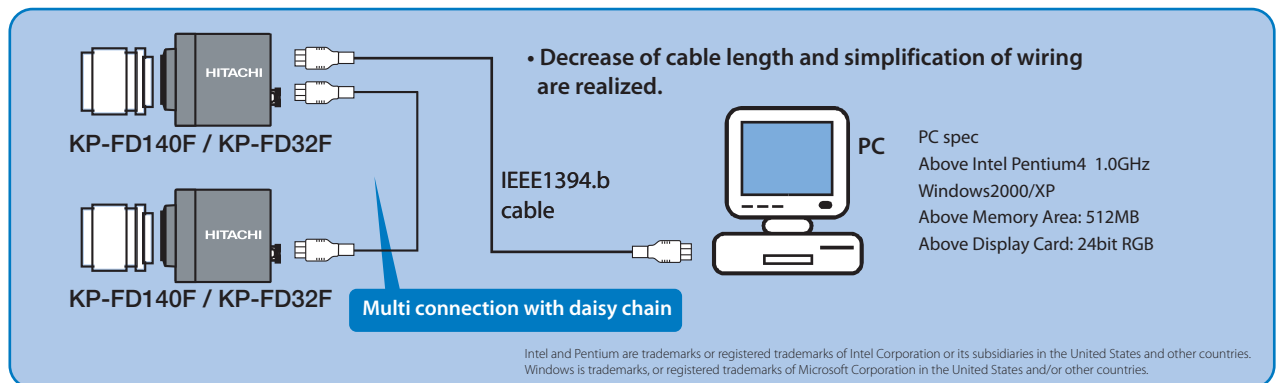
**The lineup**

- **KP-FD140F** 1.45 million pixels for high resolution (SXGA) at 15 frames per second. Designed for High Resolution color inspection.
- **KP-FD32F** 330,000 pixels for standard resolution (VGA) at a high frame rate of 60 frames per second. Designed for high speed inspection.

**Versatile features support many applications**

- Electronic shutter
- Hardwired Trigger
- White balance
- Daisy chain
- External sync
- Partial scan
- Independent 6 color masking
- Remote control

**Connection example**

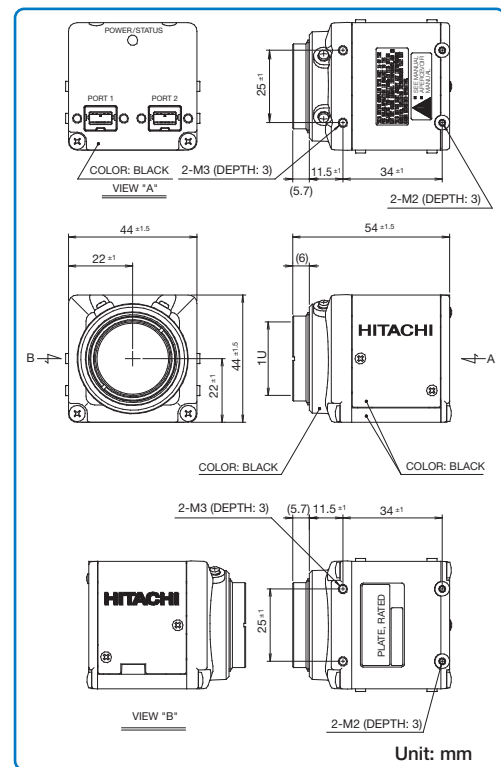


Intel and Pentium are trademarks or registered trademarks of Intel Corporation or its subsidiaries in the United States and other countries. Windows is trademarks, or registered trademarks of Microsoft Corporation in the United States and/or other countries.

## Main Specifications

	KP-FD140F	KP-FD32F
<b>Imaging device</b>	1/2-inch interline type all pixel read-out system CCD	
<b>Total pixels</b>	1434(H) x 1050(V)	692(H) x 504(V)
<b>Effective pixels</b>	1392(H) x 1024(V)	656(H) x 492(V)
<b>Pixel pitch</b>	4.65 μm(H) x 4.65 μm(V) [square lattice]	9.9 μm(H) x 9.9 μm(V) [square lattice]
<b>Scanning system</b>	Progressive scan	
<b>Synchronization</b>	Internal/external (automatic switching)	
<b>Picture signal output</b>	IEEE1394.b (FireWire800)	
<b>Interface</b>	IEEE1394-based Digital Camera Specification Version 1.31 Conformity	
<b>Transmission speed</b>	800 / 400 / 200 Mbps	
<b>Output data form</b>	RGB24/YUV(4:2:2) / Raw8 / Raw16	
<b>Output picture size</b>	1392(H) x 1024(V) 1280(H) x 960(V) 1024(H) x 768(V) 800(H) x 600(V) 640(H) x 480(V)	656(H) x 492(V) 640(H) x 480(V)
<b>Frame rate</b>	15 frames/second (RGB24, 1392(H) x 1024(V))	60 frames/second (RGB24, 656(H) x 492(V))
<b>The minimum photographic subject illumination</b>	25 lx (F1.4, maximum gain)	20 lx (F1.4, maximum gain)
<b>Gain</b>	Automatic / manual (0 dB to 18dB)	
<b>Electronic shutter speed</b>	Automatic(AES) / manual operation(VARIABLE) 1/100000 second to 10 second	
<b>External trigger</b>		
<b>Mode</b>	Fixed shutter (Mode 0), one trigger (Mode 1)	
<b>Input</b>	1394 Cable course (Software trigger), Our company original system (Hardware trigger)	
<b>Current consumption</b>	Approx. 3.8 W (DC+12 V)	Approx. 3.6 W (DC+12 V)
<b>Automatic picture level control (ALC)</b>	Picture level adjustment is possible	
<b>White balance control</b>	ATW / MANUAL / One-push	
<b>Gamma</b>	OFF / LUT	
<b>Color masking</b>	OFF / ON (6 color independence masking)	
<b>Color saturation</b>	Adjustment is possible.	
<b>Sharpness</b>	Adjustment is possible.	
<b>Brightness</b>	Adjustment is possible.	
<b>Daisy chain</b>	Connection is possible.	
<b>Lens mount</b>	C mount (With a flange back adjustment mechanism)	
<b>Power supply</b>	DC +8 V to +30 V (It supplies from an IEEE1394 cable)	
<b>Ambient</b>		
<b>Operating</b>	0 to +40 °C (+32 to ; 104 °F), 30 to 80%RH * If operated continuously, be sure to use at less than +40 °C (104 °F) for long term stable performance.	
<b>Storage</b>	-10 to +50 °C (+14 to +122 °F), 20t or 90% RH	
<b>Vibration endurance</b>	less than 68.65 m/s <sup>2</sup> (It is the XYZ direction 30 minutes each about 10 to 200Hz) *Please do not add a strong vibration over a long time	
<b>Shock endurance</b>	less than 490.3 m/s <sup>2</sup> (XYZ direction)	
<b>External dimensions</b>	44(W) x 44(H) x 54(D) mm (A lens is removed.)	
<b>Mass</b>	Approx. 130 g (A lens is removed.)	
<b>Standard Accessory</b>	Camera body CD-ROM (operation manual, driver software)	

## Dimensions



## Rear View



## Optional Accessory

IEEE1394 Cable
Tripod Adaptor

**CAUTION:** To ensure safe operation, please read the instruction manual before using this product.

These Specifications are subject to change without notice.

## Hitachi Kokusai Electric Inc.

**Head Office** : 4-14-1, Sotokanda, Chiyoda-ku, Tokyo 101-8980, Japan  
Phone : +81(0) 3-6734-9432, Fax : +81(0) 3-5209-5942  
URL : <http://www.h-kokusai.com>

**Beijing Office**  
Beijing Fortune Building 5, Dong San Huan Bei-lu, Chao Yang District, Beijing, 100029 China  
Phone : +86(0) 10-6590-8755/8756, Fax : +86(0) 10-6590-8757

**Hitachi Kokusai Electric America, Ltd.** URL : <http://hitachikokusai.us>

**Headquarters and West Office** : 150 Crossways Park Drive, Woodbury, New York 11797, U. S. A.  
Phone : (+1) 516-921-7200, Fax : (+1) 516-496-3718

**Northeast Office** : 371 Van Ness Way, Suite 120 Torrance, CA, 90501, U. S. A.  
Phone : (+1) 310-328-6116, Fax : (+1) 310-328-6252

**Midwest Sales** : Phone : (+1) 330-334-4115, Fax : (+1) 516-496-3718  
Service (+1) 989-345-5379

**South Sales** : Service (+1) 256-774-3777

**Paris Center** : Phone : (+1) 516-682-4435, Fax : (+1) 516-921-0993

**Latin Sales** : Phone : (+1) 516-682-4420, Fax : (+1) 516-496-3718

**Hitachi Kokusai Electric Canada, Ltd.** URL : [www.hitachikokusai.ca](http://www.hitachikokusai.ca)

**Head Office** : 1 Select Avenue Unit#11 Scarborough, Ontario M1V 5J3, Canada  
Phone : (+1) 416-299-5900, Fax : (+1) 416-299-0450

**Eastern Office** : 5795 Chemin St. Francois St. Laurent, Quebec H4S 1B6, Canada  
Phone : (+1) 514-332-6687, Fax : (+1) 514-335-1664

**Hitachi Kokusai Electric Europe GmbH**  
**Head Office** : Weiskircher Straße 88, Jügesheim D-63110 Rodgau, Germany  
Phone : +49(0) 6106-69920, Fax : +49(0) 6106-16906  
URL : [www.hitachi-ke.eu.com](http://www.hitachi-ke.eu.com)  
General email address : [info@hitachi-ke.eu.com](mailto:info@hitachi-ke.eu.com)

**Hitachi Kokusai Electric U.K. Ltd.**  
**Head Office** : Windsor House, Britannia Road, Waltham Cross, Hertfordshire EN8 7NX, United Kingdom  
Phone : +44(0) 945-121-2177, Fax : +44(0) 945-121-2180

**Leeds Office** : Brookfield House, Selby Road, Garforth, Leeds LS25 1NB, United Kingdom  
Phone : +44(0) 113-287-4400, Fax : +44(0) 113-287-4260  
URL : [www.hitachi-ke.eu.com](http://www.hitachi-ke.eu.com)  
General email address : [info@hitachi-ke.eu.com](mailto:info@hitachi-ke.eu.com)



CERTIFICATE No.  
JMI-0062  
ISO 9001/BS 5750Pt1  
EN 29001/JIS Z9901